

0148.1165 - CAM SMEG1160-25

FORZA INIZIALE DI ESTRAZIONE / INITIAL EXTRACTION FORCE **1160 daN**

RÜCKZUGSKRAFT / FORCE INITIALE D'EXTRACTION

FORZA FINALE DI ESTRAZIONE / FINAL FORCE OF EXTRACTION **2550 daN**

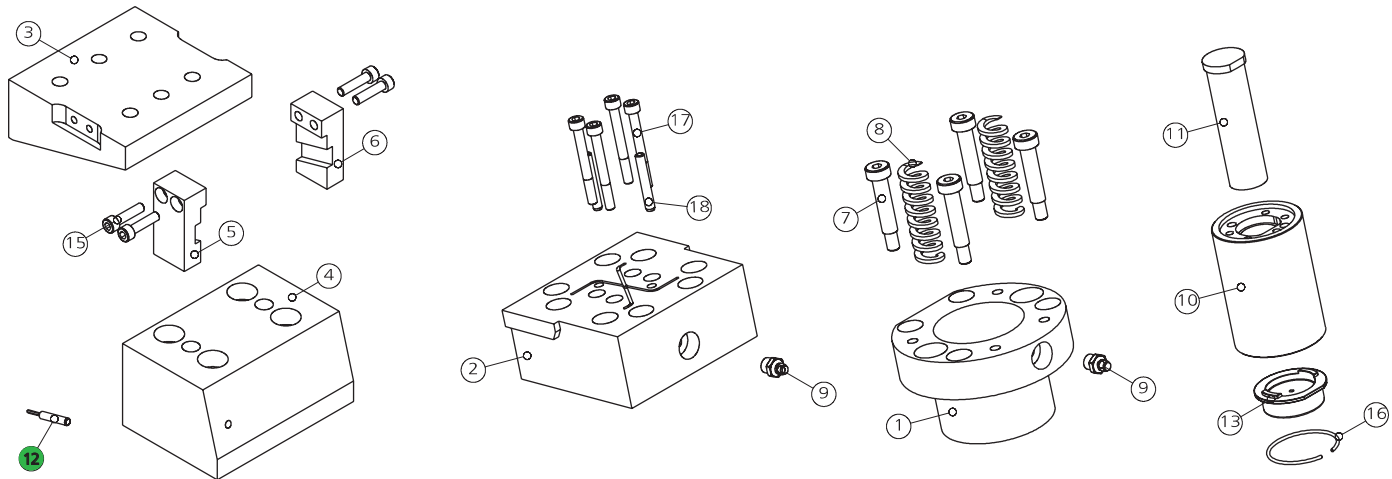
ENDKRAFT DER EXTRACTION / FORCE FINALE D'EXTRACTION

SFORZO MAX TRANCIO **9000 daN**

CUTTING MAX FORCE

MAXIMALE SCHNITTKRAFT

EFFORT MAXI DÉCOUPE

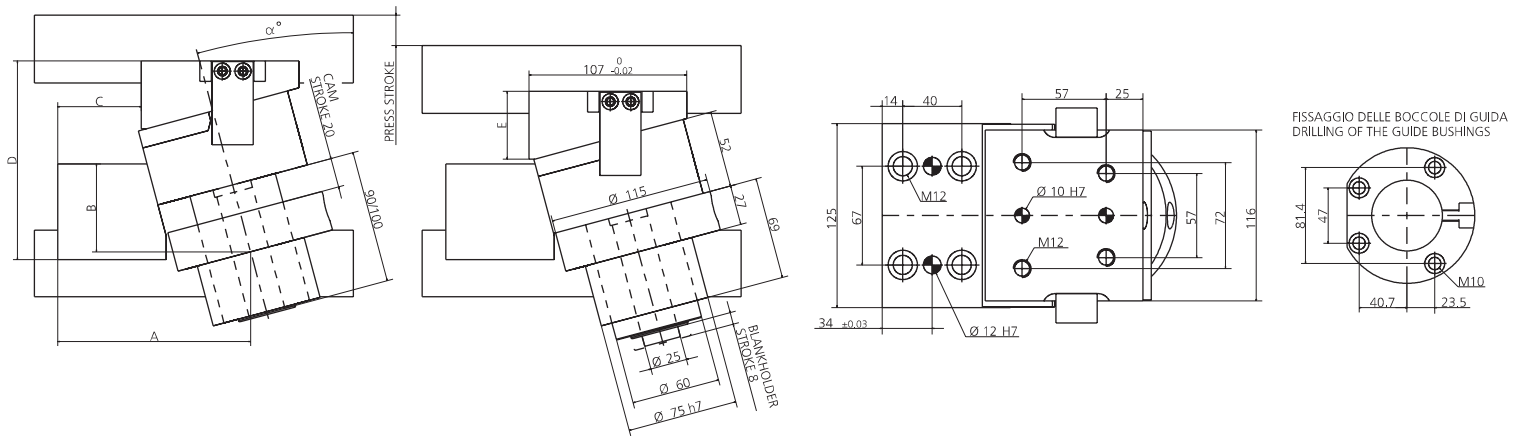


| POS. | CODE | DESCRIPTION | Q.TY |
|------|-------------------------------|--|----------|
| 001 | 8013.0690.1150.600.001 | BOCCOLA DI GUIDA / GUIDE BUSHINGS / FÜHRUNGSBÜCHSE | 1 |
| 002 | 8014.0048.1160 | PORTA PUNZONE / PUNCHES HOLDER / TRÄGERPLATTE | 1 |
| 003 | 8116.4851.1106.05.001 | INCUDINE / ANVIL / TREIBER 5° | 1*CHOOSE |
| 003 | 8116.4851.1106.10.001 | INCUDINE / ANVIL / TREIBER 10° | 1*CHOOSE |
| 003 | 8116.4851.1106.15.001 | INCUDINE / ANVIL / TREIBER 15° | 1*CHOOSE |
| 003 | 8116.4851.1106.20.001 | INCUDINE / ANVIL / TREIBER 20° | 1*CHOOSE |
| 003 | 8116.4851.1106.25.001 | INCUDINE / ANVIL / TREIBER 25° | 1*CHOOSE |
| 003 | 8116.4851.1106.30.001 | INCUDINE / ANVIL / TREIBER 30° | 1*CHOOSE |
| 003 | 8116.4851.1106.35.001 | INCUDINE / ANVIL / TREIBER 35° | 1*CHOOSE |
| 003 | 8116.4851.1106.40.001 | INCUDINE / ANVIL / TREIBER 40° | 1*CHOOSE |
| 003 | 8116.4851.1106.45.001 | INCUDINE / ANVIL / TREIBER 45° | 1*CHOOSE |
| 003 | 8116.4851.1106.50.001 | INCUDINE / ANVIL / TREIBER 50° | 1*CHOOSE |
| 004 | 8117.4851.1106.05.001 | GUIDA / GUIDE / FÜHRUNG 5° | 1*CHOOSE |
| 004 | 8117.4851.1106.10.001 | GUIDA / GUIDE / FÜHRUNG 10° | 1*CHOOSE |
| 004 | 8117.4851.1106.15.001 | GUIDA / GUIDE / FÜHRUNG 15° | 1*CHOOSE |
| 004 | 8117.4851.1106.20.001 | GUIDA / GUIDE / FÜHRUNG 20° | 1*CHOOSE |
| 004 | 8117.4851.1106.25.001 | GUIDA / GUIDE / FÜHRUNG 25° | 1*CHOOSE |
| 004 | 8117.4851.1106.30.001 | GUIDA / GUIDE / FÜHRUNG 30° | 1*CHOOSE |
| 004 | 8117.4851.1106.35.001 | GUIDA / GUIDE / FÜHRUNG 35° | 1*CHOOSE |
| 004 | 8117.4851.1106.40.001 | GUIDA / GUIDE / FÜHRUNG 40° | 1*CHOOSE |
| 004 | 8117.4851.1106.45.001 | GUIDA / GUIDE / FÜHRUNG 45° | 1*CHOOSE |
| 004 | 8117.4851.1106.50.001 | GUIDA / GUIDE / FÜHRUNG 50° | 1*CHOOSE |
| 005 | 8115.4851.1106.05.001 | STAFFA DI AGGANCIAMENTO / BRACKET ATTACHMENTS / BRACKETBEFESTIGUNG 5° | 1*CHOOSE |
| 005 | 8115.4851.1106.10.001 | STAFFA DI AGGANCIAMENTO / BRACKET ATTACHMENTS / BRACKETBEFESTIGUNG 10° | 1*CHOOSE |
| 005 | 8115.4851.1106.15.001 | STAFFA DI AGGANCIAMENTO / BRACKET ATTACHMENTS / BRACKETBEFESTIGUNG 15° | 1*CHOOSE |
| 005 | 8115.4851.1106.20.001 | STAFFA DI AGGANCIAMENTO / BRACKET ATTACHMENTS / BRACKETBEFESTIGUNG 20° | 1*CHOOSE |
| 005 | 8115.4851.1106.25.001 | STAFFA DI AGGANCIAMENTO / BRACKET ATTACHMENTS / BRACKETBEFESTIGUNG 25° | 1*CHOOSE |
| 005 | 8115.4851.1106.30.001 | STAFFA DI AGGANCIAMENTO / BRACKET ATTACHMENTS / BRACKETBEFESTIGUNG 30° | 1*CHOOSE |
| 005 | 8115.4851.1106.35.001 | STAFFA DI AGGANCIAMENTO / BRACKET ATTACHMENTS / BRACKETBEFESTIGUNG 35° | 1*CHOOSE |
| 005 | 8115.4851.1106.40.001 | STAFFA DI AGGANCIAMENTO / BRACKET ATTACHMENTS / BRACKETBEFESTIGUNG 40° | 1*CHOOSE |
| 005 | 8115.4851.1106.45.001 | STAFFA DI AGGANCIAMENTO / BRACKET ATTACHMENTS / BRACKETBEFESTIGUNG 45° | 1*CHOOSE |
| 005 | 8115.4851.1106.50.001 | STAFFA DI AGGANCIAMENTO / BRACKET ATTACHMENTS / BRACKETBEFESTIGUNG 50° | 1*CHOOSE |
| 006 | 8115.4851.1106.05.002 | STAFFA DI AGGANCIAMENTO / BRACKET ATTACHMENTS / BRACKETBEFESTIGUNG 5° | 1*CHOOSE |
| 006 | 8115.4851.1106.10.002 | STAFFA DI AGGANCIAMENTO / BRACKET ATTACHMENTS / BRACKETBEFESTIGUNG 10° | 1*CHOOSE |
| 006 | 8115.4851.1106.15.002 | STAFFA DI AGGANCIAMENTO / BRACKET ATTACHMENTS / BRACKETBEFESTIGUNG 15° | 1*CHOOSE |

| POS. | CODE | DESCRIPTION | Q.TY |
|------|-------------------------------|---|----------|
| 006 | 8115.4851.1106.20.002 | STAFFA DI AGGANCIAMENTO / BRACKET ATTACHMENTS / BRACKETBEFESTIGUNG 20° | 1*CHOOSE |
| 006 | 8115.4851.1106.25.002 | STAFFA DI AGGANCIAMENTO / BRACKET ATTACHMENTS / BRACKETBEFESTIGUNG 25° | 1*CHOOSE |
| 006 | 8115.4851.1106.30.002 | STAFFA DI AGGANCIAMENTO / BRACKET ATTACHMENTS / BRACKETBEFESTIGUNG 30° | 1*CHOOSE |
| 006 | 8115.4851.1106.35.002 | STAFFA DI AGGANCIAMENTO / BRACKET ATTACHMENTS / BRACKETBEFESTIGUNG 35° | 1*CHOOSE |
| 006 | 8115.4851.1106.40.002 | STAFFA DI AGGANCIAMENTO / BRACKET ATTACHMENTS / BRACKETBEFESTIGUNG 40° | 1*CHOOSE |
| 006 | 8115.4851.1106.45.002 | STAFFA DI AGGANCIAMENTO / BRACKET ATTACHMENTS / BRACKETBEFESTIGUNG 45° | 1*CHOOSE |
| 006 | 8115.4851.1106.50.002 | STAFFA DI AGGANCIAMENTO / BRACKET ATTACHMENTS / BRACKETBEFESTIGUNG 50° | 1*CHOOSE |
| 007 | 9008.0810.040 | VITE A COLLETTO / SHOULDER SCREW / ANSATZSCHRAUBE | 4 |
| 008 | 9009.3000.0890.200 | MOLLA / SPRING / FEDER | 2 |
| 009 | 9006.002 | INGRASSATORE / NIPPLES / SCHMIERUNG | 2 |
| 010 | 9030.025.001 | CILINDRO SPECIALE / SPECIAL CYLINDER / SPEZIALZYLINDER | 1 |
| 011 | 9090.3JBM2.250.090 | PUNZONE SBOZZATO TC CON ESPULSORE / BLANK-HEADED PUNCH WITH EJECTOR / ROHLING SCHNEIDSTEMPEL MIT ABSTOSSER 10 90 | 1*OPTION |
| 011 | 9090.3JBM2.250.100 | PUNZONE SBOZZATO TC CON ESPULSORE / BLANK-HEADED PUNCH WITH EJECTOR / ROHLING SCHNEIDSTEMPEL MIT ABSTOSSER 10 100 | 1*OPTION |
| 011 | 093J_M2.250.090 | PUNZONE TC CON ESPULSORE / HEADED PUNCH WITH EJECTOR / SCHNEIDSTEMPEL MIT ABSTOSSER 10 90 | 1*OPTION |
| 011 | 093J_M2.250.100 | PUNZONE TC CON ESPULSORE / HEADED PUNCH WITH EJECTOR / SCHNEIDSTEMPEL MIT ABSTOSSER 10 100 | 1*OPTION |
| 012 | 9003.0001 | SENSORE DI SICUREZZA / SECURITY SENSOR / SENSOR FÜR SICHERHEIT | 1*OPTION |
| 013 | 9016.090.205.001 | PREMILAMIERA CORTO / SHORT BLANKHOLDER / KURZ BLECHHALTER 90MM | 1*CHOOSE |
| 013 | 9016.090.205.002 | PREMILAMIERA LUNGO / LONG BLANKHOLDER / LANG BLECHHALTER 90MM | 1*CHOOSE |
| 013 | 9016.100.205.001 | PREMILAMIERA CORTO / SHORT BLANKHOLDER / KURZ BLECHHALTER 100MM | 1*CHOOSE |
| 013 | 9016.100.205.002 | PREMILAMIERA LUNGO / LONG BLANKHOLDER / LANG BLECHHALTER 100MM | 1*CHOOSE |
| 013 | 8016.090.205.001 | PREMILAMIERA CORTO / SHORT BLANKHOLDER / KURZ BLECHHALTER 90MM | 1*OPTION |
| 013 | 8016.090.205.002 | PREMILAMIERA LUNGO / LONG BLANKHOLDER / LANG BLECHHALTER 90MM | 1*OPTION |
| 013 | 8016.100.205.001 | PREMILAMIERA CORTO / SHORT BLANKHOLDER / KURZ BLECHHALTER 100MM | 1*OPTION |
| 013 | 8016.100.205.002 | PREMILAMIERA LUNGO / LONG BLANKHOLDER / LANG BLECHHALTER 100MM | 1*OPTION |
| 015 | 9007.06.020.129.1.4762 | VITE / SCREW / SCHRAUBE M6X20 | 4 |
| 016 | 9004.2480.001 | SEEGER / SEEGER / SEEGERRING | 1 |
| 017 | 9007.06.055.129.1.4762 | VITE / SCREW / SCHRAUBE M6X55 | 4 |
| 018 | 9028.06.020.8735 | SPINA CILINDRICA / DOWEL PIN / ZYLINDERSTIFT D6X20 | 2 |

FORZA INIZIALE DI ESTRAZIONE / INITIAL EXTRACTION FORCE **1160 daN**
 RÜCKZUGSKRAFT / FORCE INITIALE D'EXTRACTION
 FORZA FINALE DI ESTRAZIONE / FINAL FORCE OF EXTRACTION **2550 daN**
 ENDKRAFT DER EXTRAKTION / FORCE FINALE D'EXTRACTION

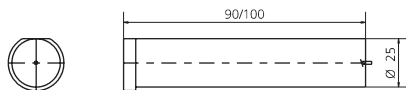
SFORZO MAX TRANCIO **9000 daN**
 CUTTING MAX FORCE
 MAXIMALE SCHNITTKRAFT
 EFFORT MAXI DÉCOUPE



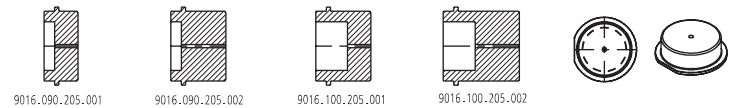
| α° | PRESS STROKE | A | B | C | D | E |
|----------------|--------------|--------|------|-------|--------|-----|
| 5° | 20.1 | 141.7 | 71.6 | 83.45 | 123.4 | 35 |
| 10° | 20.3 | 143.3 | 65.6 | 77 | 125.5 | 35 |
| 15° | 20.7 | 144.23 | 56.6 | 70 | 135 | 46 |
| 20° | 21.3 | 144.6 | 53.6 | 63.85 | 144.65 | 54 |
| 25° | 22.05 | 144.15 | 47.1 | 55.9 | 154.25 | 64 |
| 30° | 23.1 | 143.75 | 36.9 | 48 | 159 | 67 |
| 35° | 24.4 | 142.9 | 31.9 | 41.15 | 167.75 | 76 |
| 40° | 26.1 | 139.85 | 24.9 | 32.6 | 179.25 | 86 |
| 45° | 28.3 | 138.35 | 14.6 | 25 | 193 | 96 |
| 50° | 31.1 | 134.25 | 8.6 | 16.9 | 207.05 | 108 |

* PER INCLINAZIONI FUORI STANDARD RIVOLGERSI ALL'UFFICIO TECNICONESTARK / * FOR NON-STANDARD INCLINATIONS, PLEASE CONTACT NEWSTARK TECHNICAL OFFICE.
 / * FÜR NICHT STANDARDMÄSSIGE NEIGUNGEN WENDEN SIE SICH BITTE AN DAS TECHNISCHE BÜRO VON NEWSTARK

0011 (9090) PUNZONE SBOZZATO / BLANK PUNCH / ROHLING SCHNEIDSTEMPEL ISO8020



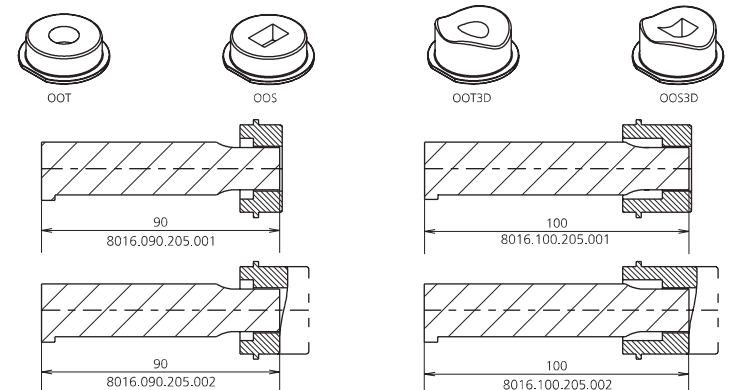
013 (9016) PREMILAMIERA SBOZZATO / BLANK-BLANKHOLDER / ROHLING BLECHHALTER



011 (093J_) PUNZONE SAGOMATO / SHAPED PUNCH / GEFORMT SCHNEIDSTEMPEL ISO8020



013 (8016) PREMILAMIERA SAGOMATO / SHAPED BLANKHOLDER / GEFORMT BLECHHALTER



012 (9003) SENSORE / SENSOR / SENSOR



12 PATENT PENDING

MODELLO D'ORDINE / ORDER EXAMPLE / BESTELLBEISPIEL / MODÈLE DE COMMANDE

MODEL **0148.1165** INCLINATION **+10°** BLANKHOLDER **9016/8016.** _____ OPTION CODE **9003.0001**